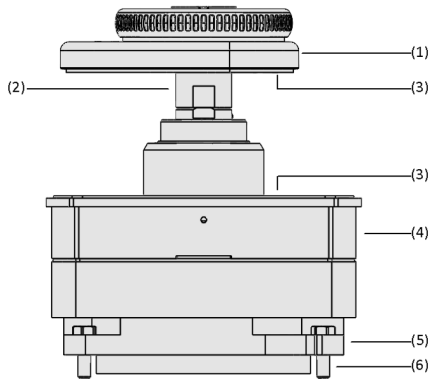


Mechanical Clamps VCMC-B-QUICK

Clamping range 15 mm to 85 mm · With quick adjustment



Mechanical Clamps VCMC-B-QUICK



System design Mechanical Clamps VCMC-B-QUICK



Mechanical clamps VCMC-B-QUICK for clamping of frame parts

Suitability for industry specific applications

Application

- Mechanical clamping system for CNC machining centers from Biesse with console tables with ATS and EPS suction cup mountings
- Particularly suitable for narrow and curved workpieces such as frame parts and window profiles
- Tool-free adjustment of the clamping height to the workpiece within seconds; extension of the clamping range possible through extension
- Clamping of the workpiece by activating the vacuum at the machine table

Design

- Triangular clamping plate (1) is adjustable in clamping height and contact surface on the workpiece without tools and is lowered by activating the vacuum
- Extension (2) for adjusting the clamping range
- Friction material (3) for optimizing lateral force absorption
- Main body (4) made of aluminum with interface (5) to Biesse console
- Hexagon head screws (6) for fixing the clamp in the mounting

Product highlights

- Triangular clamping disc with tool-free quick adjustment enables shortest set-up times
- Clamping force of 700 N ensures safe clamping even with narrow workpieces
- No additional medium required, as the clamp can be activated via operating vacuum of the CNC machining centre
- Special friction materials on the clamping disc and clamping surface ensure a secure hold even with high machining forces
- Can be used for a wide range of workpieces thanks to its very large clamping range

Mechanical Clamps VCMC-B-QUICK

Clamping range 15 mm to 85 mm · With quick adjustment

Designation code Mechanical Clamps VCMC-B-QUICK

VCMC-B	–	QUICK	–	150x135	–	x48	–	15-85
1		2		3		4		5

1 – Abbreviated designation

Code	Type
VCMC-B	Mechanical clamp, Biesse system

2 – Design

Code	Type
QUICK	With tool-free height adjustment

3 – Dimensions

Code	LxW in mm
150x135	150x135

4 – Clamping height

Code	H in mm
x48...x74	48 and 74

5 – Clamping range

Code	Clamping range in mm
15-85	15-85

The mechanical clamp VCMC-B-QUICK is delivered assembled. The product consists of:

- Clamping disc with quick adjustment
- Main body made of aluminum
- Hexagonal bolts

Available spare parts: clamping disc

Available accessories: clamping range extension

Ordering data Mechanical Clamps VCMC-B-QUICK

Type	Part no.
VCMC-B-QUICK 150x135x48 15-85	10.01.12.04750
VCMC-B-QUICK 150x135x74 15-85	10.01.12.04752

Ordering data Spare parts Mechanical Clamps VCMC-B-QUICK

Spare parts	Part no.
Clamping disc SPAN-TELL 110x30 EXZ VCMC	10.01.12.04688

Ordering data Accessories Mechanical Clamps VCMC-B-QUICK

Accessories	Part no.
Extension with hexagon VRL-S M20x1x35	10.01.12.04374

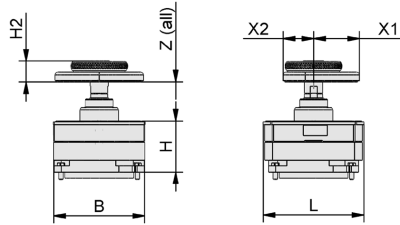
Technical data Mechanical Clamps VCMC-B-QUICK

Type	Clamping range [mm]
VCMC-B-QUICK 150x135x48 15-85	15.0 ... 85.0 mm
VCMC-B-QUICK 150x135x74 15-85	15.0 ... 85.0 mm

Mechanical Clamps VCMC-B-QUICK

Clamping range 15 mm to 85 mm · With quick adjustment

Design data Mechanical Clamps VCMC-B-QUICK



VCMC-B-QUICK

Mechanical Clamps VCMC-B-QUICK

Clamping range 15 mm to 85 mm · With quick adjustment

Design data Mechanical Clamps VCMC-B-QUICK

Type	B [mm]	H [mm]	H2 [mm]	L [mm]	X1 [mm]	X2 [mm]	Z (Stroke) [mm]
VCMC-B-QUICK 150x135x48 15-85	133	48	30	146.4	66.5	44	9
VCMC-B-QUICK 150x135x74 15-85	133	74	30	146.4	66.5	44	9

Multimedia product presentation

Medium	Link
Product video	https://vimeo.com/178568576 https://vimeo.com/194826873 https://vimeo.com/193850139 https://vimeo.com/260009196